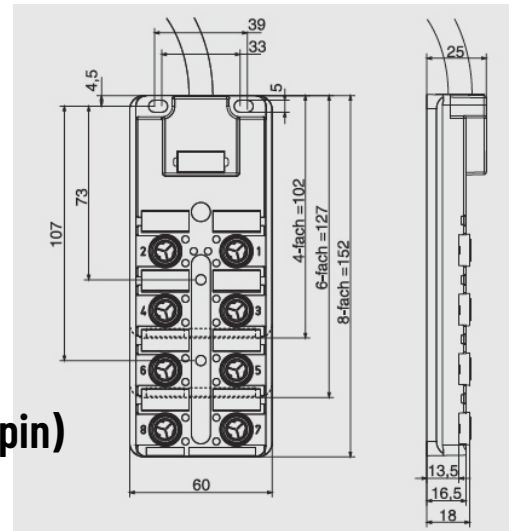


Accessoires (Distributor)

# ZVHH 2304

## Distributor M12 IDC Quick Connection (4-fach/3-pin)



Conductor diameter:	1,2 - 1,6mm
Conductor slice plane:	0,25 - 0,5 mm <sup>2</sup>
Slot qty.:	4/8
Base material contacts:	CuZn, nickeling and gold plated
Nominal voltage:	30V
EA function:	1x LED yellow
Color:	black
Case sealing:	PUR foaming
Total:	8A
Screw socket:	CuZn, nickeling
Insulation material case:	PBT (UL 9400)
Cable coat:	PUR
Contact beam:	PBT (UL 9400)
Conductor outer diameter:	3,5 - 0,5mm
Max. connection frequency:	10
Max. currency per E.-outlet:	2A
Min. cord diameter:	0,1mm
Minimum skinning length:	15...20mm
O-ring:	viton
PG and contact mount:	black
Number of poles:	3/4
Protection class:	IP 68
UB:	1x LED green
Environment temperature:	-20 °C ... +90 °C
Fouling level:	3

Further information about this product can be found on our website, please visit:  
[https://schoenbuch-sensor.de/en/products/zvhh-2304\\_en/](https://schoenbuch-sensor.de/en/products/zvhh-2304_en/)