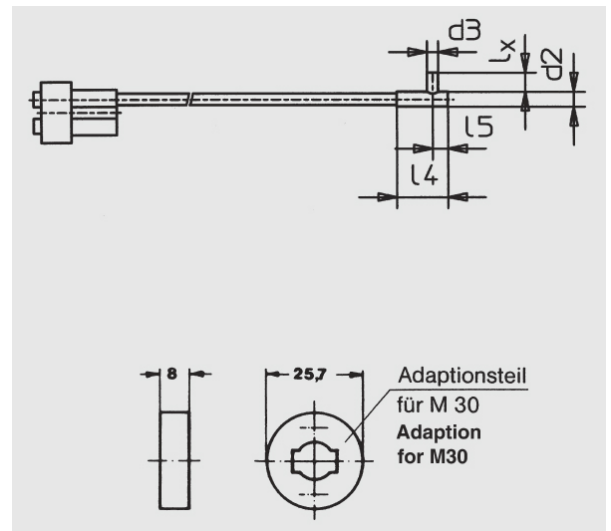


Reflective Types (Glass Fibre With Radial Light Output)

LREE 0504

LREE 0504 (500 mm, $l_x = 4$ mm)



Glass slice pane:	2 x 3 mm ²
Length:	500 mm, $l_x = 4$ mm
Sn M18/M30:	35/75 mm
Coating:	Aluminium

Further information about this product can be found on our website, please visit:
https://schoenbuch-sensor.de/en/products/lree-0254_en/lree-0504_en/