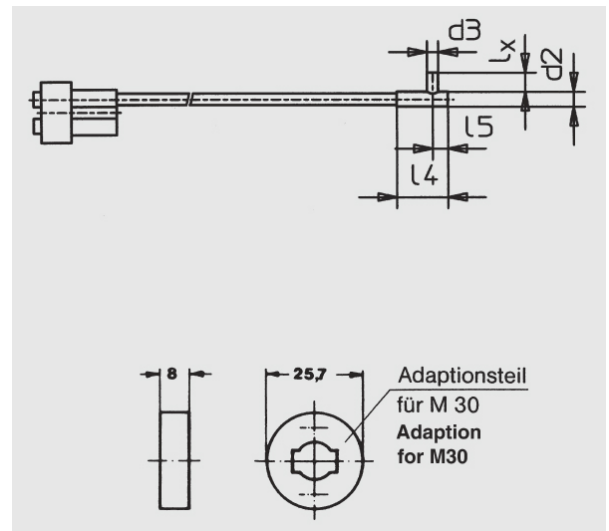


Reflective Types (Glass Fibre With Radial Light Output)

LREE 0254

LREE 0254 (250 mm, $l_x = 4$ mm)



Glass slice pane:	2 x 3 mm ²
Length:	250 mm, $l_x = 4$ mm
Sn M18/M30:	35/75 mm
Coating:	Aluminium

Further information about this product can be found on our website, please visit:

https://schoenbuch-sensor.de/en/products/lree-0254_en/