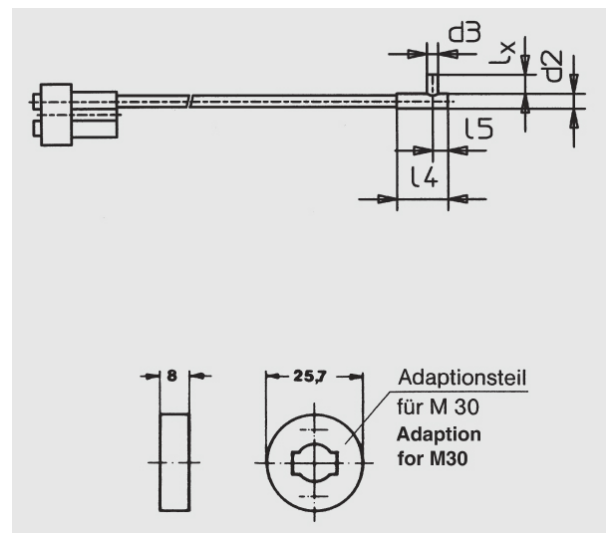


Reflective Types (Glass Fibre With Radial Light Output)

# LRDF 0254

**LRDF 0254 (250 mm,  $l_x = 4$  mm)**



Glass slice pane:	2 x 2 mm <sup>2</sup>
Length:	250 mm, $l_x = 4$ mm
Sn M18/M30:	15/25 mm
Coating:	ALS

Further information about this product can be found on our website, please visit:

[https://schoenbuch-sensor.de/en/products/lrdf-0254\\_en/](https://schoenbuch-sensor.de/en/products/lrdf-0254_en/)