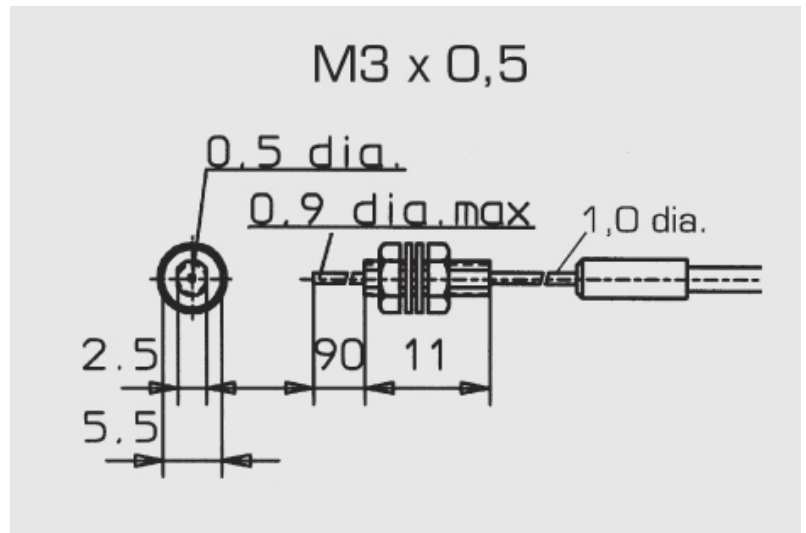


Through Beam Lightbarriers (Plastic Fibre)

LLHG 2000

fibre optic LRIA 2000 (PNP-NO)



Outlet:	PNP-NO
Specialty:	■ 0,9 x 90 mm biegbar
Fiber diameter:	0,5 mm
Function:	plastic fibre
Min. bending radius:	25 mm
Light emission:	axial
Light conductor length:	2000 mm manufacturable
Material hull:	nickel plated brass
Min. object size:	■ 0,03 mm
Switching distance:	50 mm
Protection class:	IP 67
Environment temperature:	-40 °C...+70 °C
Coating:	Polyethylen black

Further information about this product can be found on our website, please visit:

https://schoenbuch-sensor.de/en/products/llhg-2000_en/